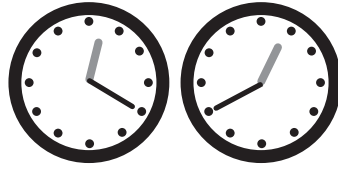




2 person for  
marble tops

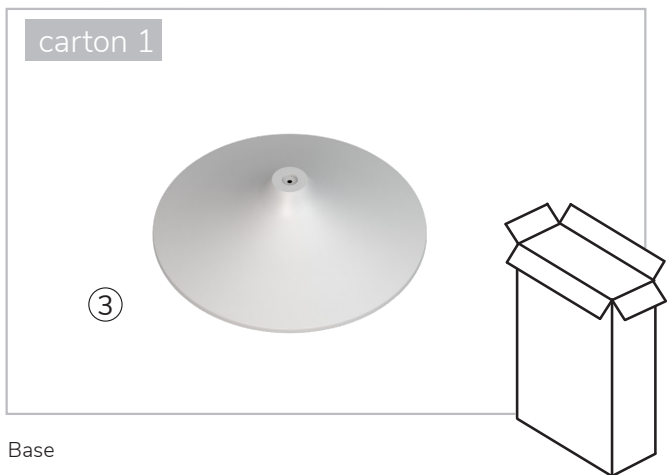
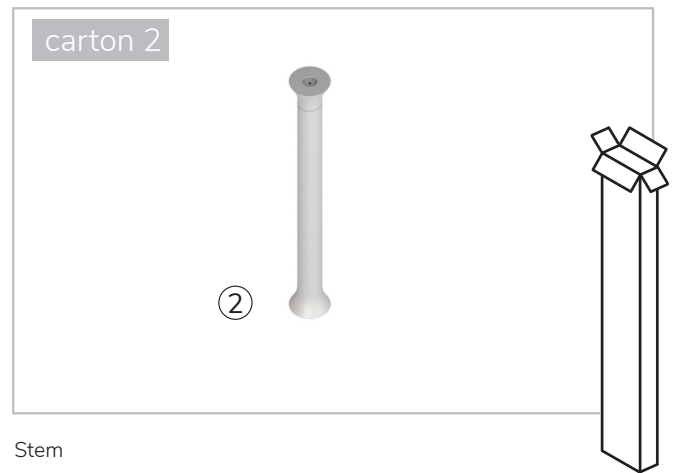
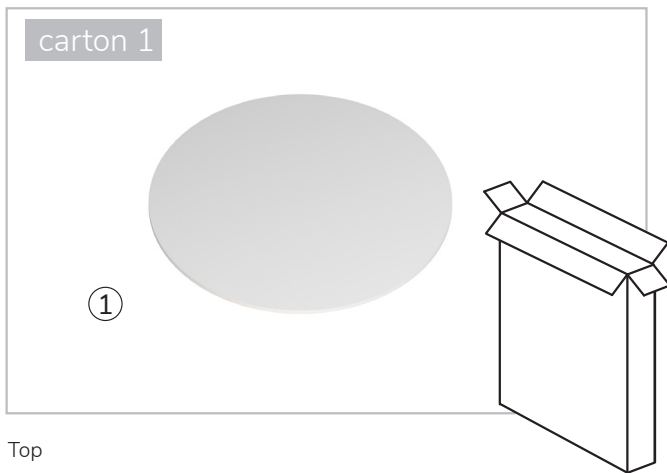


20-40 mins



## items

total cartons = 3



## Hardware:



Item A - Fixing rod (carton 2)



Item B - Fixing Nut (carton 2)



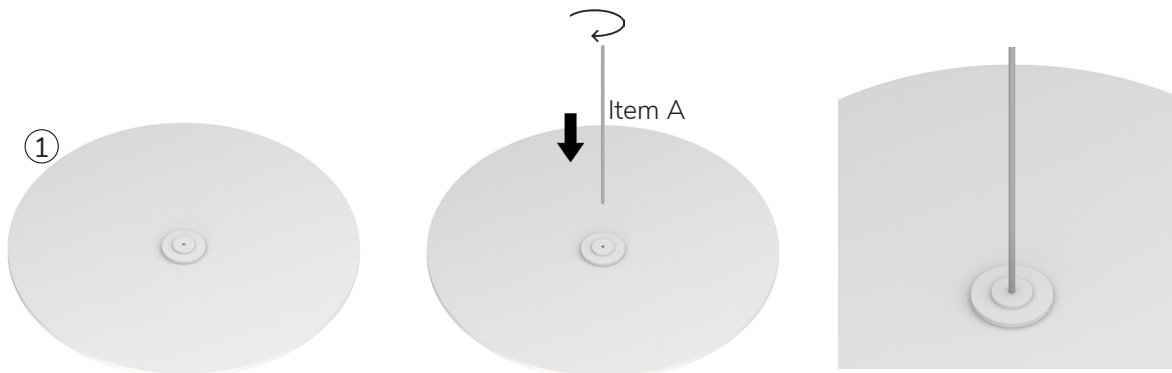
Item C - Spanner - tube shaped (carton 2)

# Assembly Stages

## Stage 1

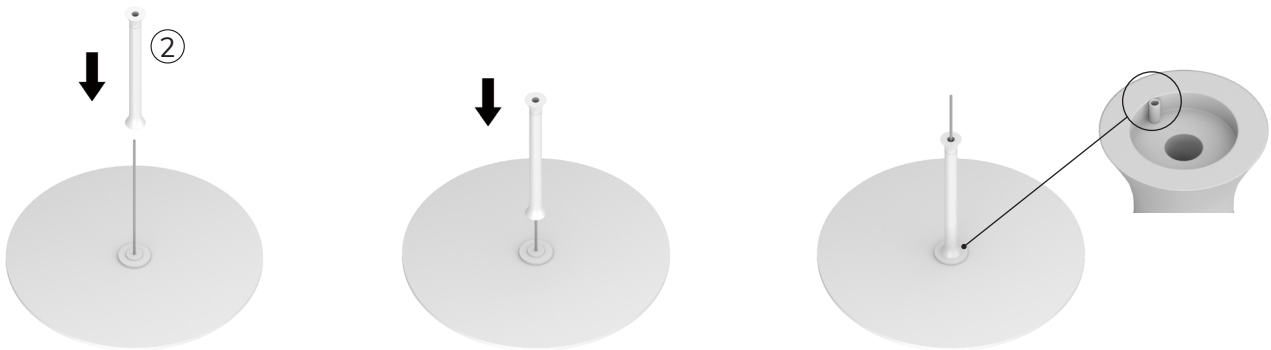
Lay the top upside down with the central fixing point facing upwards.

Take the fixing rod 'A' from carton 2 and screw this into the fixing point on the top until tight and secure.



## Stage 2

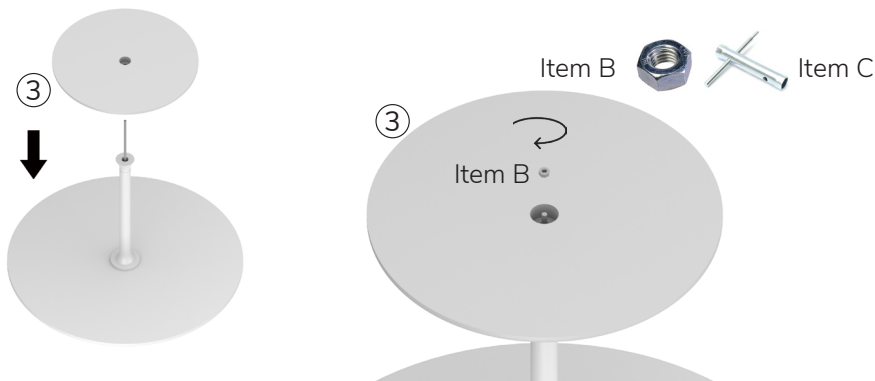
Take the stem and gently slide it over the fixing rod until it has reached the fixing point. Make sure the locking tooth (circled) on the stem drops into its matching slot.



## Stage 3

Place the base over the fixing rod and align it with the stem making sure it slots in place.

Screw the nut (Item B) on the end of the threaded rod and tighten thoroughly with the spanner (item C)



## Stage 2

Flip the table up the right way (if using a marble top we recommend 2 people)



**GILLMORE**  
BRITISH DESIGN  
sales@gillmore.co.uk  
www.gillmore.co.uk